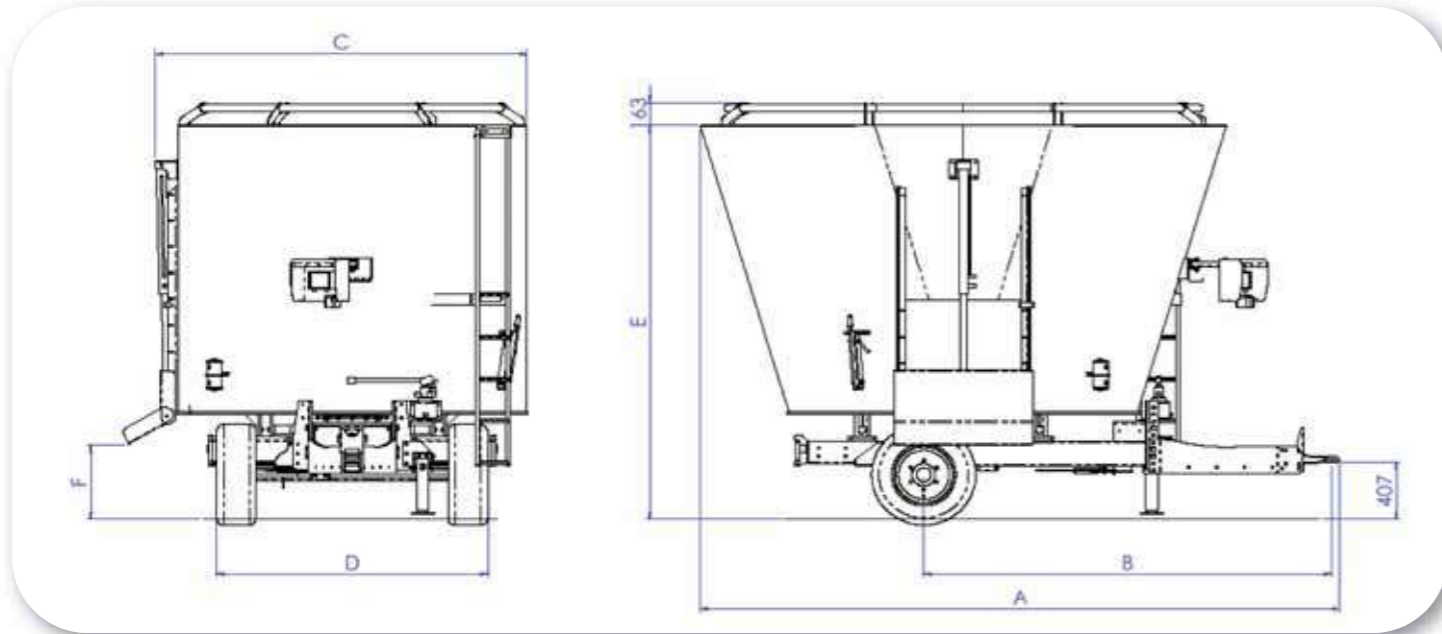


technical specifications trailed single auger vertical mixer VN series

	Capacity m ³	H.P. Requirements	Tires	A (mm.)	B (mm.)	C (mm.)	D (mm.)	E (mm.)	F (mm.)	Empty Weight Kg.
VN 4	4,35	40	60x15,5 - 10,0	4034	2937	1797	1564	2346	500	2300
VN 6	6	50	30x11,5 - 14,5	4066	2835	2123	1900	2398	520	2600
VN 8	8	65	400/60 - 15,5	4515	3064	2441	2000	2651	645	3300
VN 10	10	75	400/60 - 15,5	4550	3064	2441	2000	2771	645	3440
VN 12	12	80	400/60 - 15,5	4664	3064	2576	2000	2928	645	3620
VN 14	14	85	400/60 - 15,5	4724	3064	2576	2000	3128	645	3750



options VN range

Hydraulic foot with manual pump
Additional side unloading door
Hydraulic lifting side unloading door
CV PTO-shaft
Anti overflow ring (tube or rubber type)
Two hydraulic counter blades
Programmable weighing system
Magnet
Vertical roller for discharging long fiber feed
Hydraulic distributor with manual remote control
Electrical control
Two speed gearbox (540/1.000 rpm)

TATOMA

GRUPO



Management System
 ISO 9001:2008
 OHSAS 18001:2007
 ISO 14001:2004
 www.tuv.com
 ID 9105024614



**INGENIERÍA Y MONTAJES MONZÓN, S.L.
 (INMOsa)**

Polígono Industrial PAULES 53-55
 22400 Monzón (Huesca) ESPAÑA

Tel: (+34) 974 401 336
 FAX: (+34) 974 400 670

inmosa@grupotatoma.com
 www.grupotatoma.com

Distributor

single auger vertical mixer-VN



TATOMA

GRUPO



Three load cells.



Scale display (optional programmable).



Heavy duty single auger fitted with high wear resistance, adjustable serrated blades.



Hydraulic lifting conveyor belt on side unloading door



Rubber anti-overflow extension

THE MIXING AUGER

The correct ratio between the size of the mixing auger and the capacity of the mixing tub is of great importance. Therefore TATOMA has several auger sizes adapted to the features of each machine. The vertical mixing auger is fitted with serrated cutting blades which can be adjusted and replaced in two different positions. When designing the mixing auger various mix types were considered, both predominantly humid short fiber materials, as well as mainly dry long-fiber feed ingredients. Due to its long experience in the field

of Mixer feeders TATOMA could develop a mixing auger that is able to mix practically any type of ingredients, and also ensures the greatest possible homogeneity and ideal distribution of fodders. The lowest spiral with larger diameter ensures a uniform discharge for each feed mixture. At the same time the ratio of the auger thread and spiral diameter allows an excellent flow of the products, ensuring a fast cutting, low fuel consumption and a uniform and complete product removal of the mixing tub.

OPTIONAL
Anti-overflow ring



Hydraulic foot

OPTIONAL

