

SIENA 35



language



pasquali

SIENA 35 RANGE

Characterised by extremely compact dimensions, the Siena 35 range is made out of multi-functional isodiametric tractors intended for hobby-farmers, semi-professionals and small farms specialised in greenhouses, vegetable gardens, nurseries and micro-row cultivations.

Available in 2 versions:

AR – Chassis with central articulation, narrow wheel track and contained turning radii.

RS – Chassis with steering wheels, stability and adherence for use also in sloping areas.

THE SIENA 35 RANGE IS THE ONLY ONE IN ITS CATEGORY THAT OFFERS AN ARTICULATED VERSION.

Generous hydraulic system with the possibility of fitting up to a maximum of 6 hydraulic outlets.

Independent PTO with multidisc in oil bath clutch (opt.) available for RS version.

Gearbox levers positioned under the steering wheel to allow maximum accessibility to the driver's seat.

Compact dimensions and hydrostatic steering for maximum manoeuvrability even in the tightest spaces.

Fuel tank of 43-litre for long operating time.

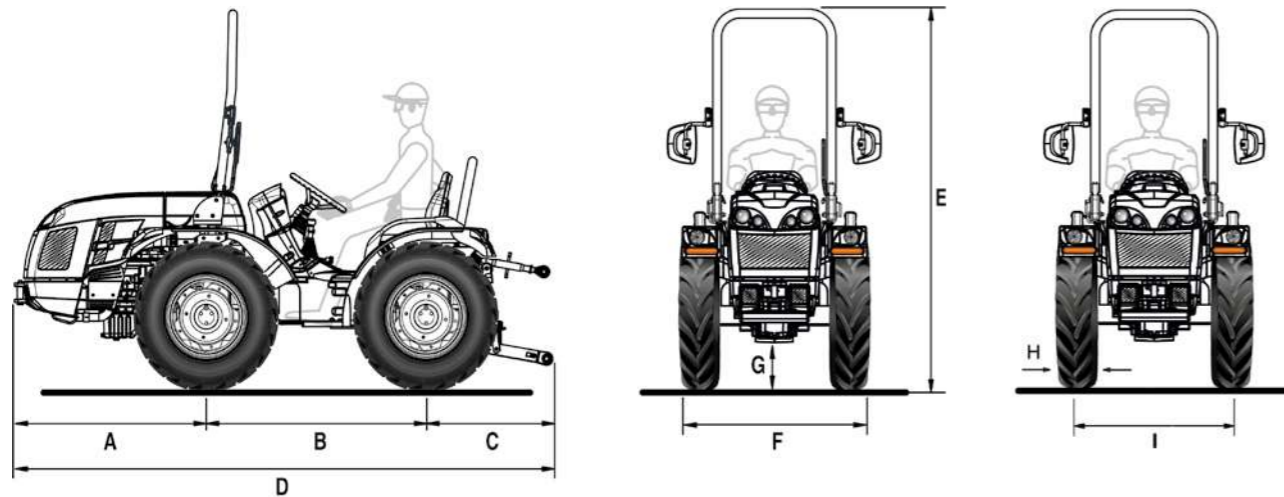
Appealing look with dual work lights built into the bonnet and new graphic design.

Kubota Engine with 25 hp and max torque of 71.5 Nm.



SIENA 35 AR

Data Sheet



A	B	C	D	E max	F min/max	G min/max
985	1200	705	2890	1990	989 / 1391	237 / 258

* Dimensions in mm

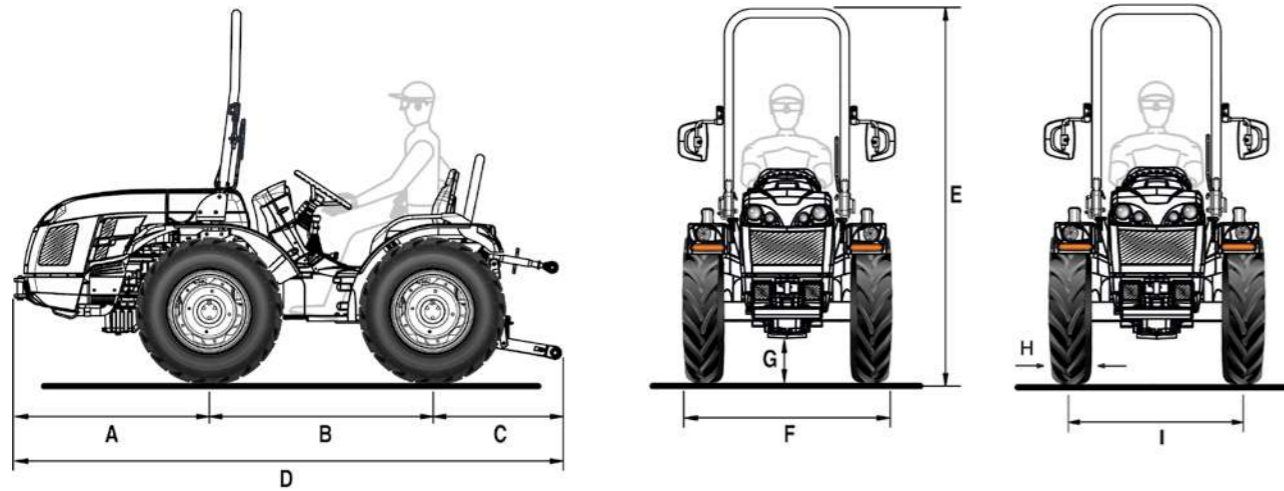
	6.50-16	210/95 R16 (7.50-16)	260/70 R16	240/70-15 Garden
	with adjustable rim	with adjustable rim	with adjustable rim	with fixed rim
H	183	209	258	253
I	806 / 1182	806 / 1182	882 / 1040	906 / 1082
F	989 / 1365	1015 / 1391	1140 / 1298	1159 / 1335

* Dimensions in mm - min / max
H = Tyre width - I = Wheel track - F = Tractor width

TECHNICAL FEATURES	SIENA 35 AR
ENGINE	Kubota D1105
No. of cylinders	3
Displacement (cc)	1123
Intake	Natural
Emissions compliance	Stage V
Power (kW/HP)	18.5 / 25
Rated speed (rpm)	3000
Max torque (Nm/rpm)	71.5 / 2200
Cooling	Liquid
Tank capacity (l)	43
CHASSIS	Swinging integral chassis ($\pm 15^\circ$) OS-FRAME with central articulation
DRIVE	Permanent four-wheel drive
TRANSMISSION	Gearbox with easy gear engagement: 8 FWD + 4 REV speeds
Min/max travel speed (km/h)	1.3 / 28
Transmission clutch	Dry single disc
DIFFERENTIAL	Front and rear with simultaneous locking and mechanical control
REAR PTO	At 540 rpm and synchronised with forwarding speed
Engagement control	Mechanical
HYDRAULIC SYSTEM	
Flow rate to the hydroguide, lift and control valves (l/min)	16.5
Maximum hydraulic pressure (bar)	125
REAR CONTROL VALVES	Mechanically controlled
Standard	1 double-acting (total 2 hydraulic outlets)
Optional and in addition to the standard ones	1 single-acting and 1 double-acting (total 5 hydraulic outlets) or 1 double-acting and 1 double-acting with delivery lockable position (total 6 hydraulic outlets)
ELECTRIC SYSTEM	60 Ah / 12 V battery - 40 A alternator
REAR LIFT	Raising/lowering, by two external rams
3-point implement hitch	With normal couplings cat. 1
Third point tie rod	With manual adjustment
Ball joint lifting capacity (kg)	950
DRIVING POSITION	With semi-platform
Steering wheel	Standard: fixed - Optional: height adjustable
Seat	With safety belt and man-on-board sensor. Comfort seat with longitudinal, height and spring adjustment according to the operator's weight
SERVICE BRAKES	Drum brakes acting on rear wheels
Parking brake	Acting on service brakes
STEERING	Hydrostatic steering acting on the central joint
SAFETY	Front homologated roll-bar with gas spring for easy lowering and lifting
DASHBOARD	With analogue instrumentation complete with operating hours indicator, engine rpm, forwarding speed and warning lights
TYRES	6.50-16 * 210/95R16 (7.50-16) * 260/70R16 * 240/70-15 Garden
TOW HOOKS (standard)	Front - Rear CUNA cat. B adjustable in height
Optional	Rear EC approved
RUNNING ORDER WEIGHT with roll-bar (kg)	1040
ADDITIONAL OPTIONS	Rear working light, beacon lamp, wheel weights kg 40 each.

SIENA 35 RS

Data Sheet



A	B	C	D	E max	F min/max	G min/max
985	1200	705	2890	1990	1069 / 1391	237 / 258

* Dimensions in mm

	6.50-16	210/95 R16 (7.50-16)	260/70 R16	240/70-15 Garden
	with adjustable rim	with adjustable rim	with adjustable rim	with fixed rim
H	183	209	258	253
I	886 / 1182	886 / 1182	944 / 1102	906 / 1082
F	1069 / 1365	1095 / 1391	1202 / 1360	1159 / 1335

* Dimensions in mm - min / max
H = Tyre width - I = Wheel track - F = Tractor width

TECHNICAL FEATURES	SIENA 35 RS
ENGINE	Kubota D1105
No. of cylinders	3
Displacement (cc)	1123
Intake	Natural
Emissions compliance	Stage V
Power (kW/HP)	18.5 / 25
Rated speed (rpm)	3000
Max torque (Nm/rpm)	71.5 / 2200
Cooling	Liquid
Tank capacity (l)	43
CHASSIS	Swinging integral chassis ($\pm 15^\circ$) OS-FRAME with steering wheels
DRIVE	Permanent four-wheel drive
TRANSMISSION	Gearbox with easy gear engagement: 8 FWD + 4 REV speeds
Min/max travel speed (km/h)	1.3 / 28
Transmission clutch	Dry single disc
DIFFERENTIAL	Front and rear with simultaneous locking and mechanical control
REAR PTO	At 540 rpm and synchronised with forwarding speed
Engagement control	Mechanical
HYDRAULIC SYSTEM	
Flow rate to the hydroguide, lift and control valves (l/min)	16.5
Maximum hydraulic pressure (bar)	125
REAR CONTROL VALVES	Mechanically controlled
Standard	1 double-acting (total 2 hydraulic outlets)
Optional and in addition to the standard ones	1 single-acting (total 3 hydraulic outlets) or 1 double-acting (total 4 hydraulic outlets) or 1 double-acting with float (total 4 hydraulic outlets)
ELECTRIC SYSTEM	60 Ah / 12 V battery - 40 A alternator
REAR LIFT	Raising/lowering, by two external rams
3-point implement hitch	With normal couplings cat. 1
Third point tie rod	With manual adjustment
Ball joint lifting capacity (kg)	950
DRIVING POSITION	With semi-platform
Steering wheel	Standard: fixed - Optional: height adjustable
Seat	With safety belt and man-on-board sensor. Comfort seat with longitudinal, height and spring adjustment according to the operator's weight
SERVICE BRAKES	Drum brakes acting on rear wheels. Independent manoeuvring brakes acting on the rear wheels
Parking brake	Acting on service brakes
STEERING	Hydrostatic steering acting on the front wheels
SAFETY	Front homologated roll-bar with gas spring for easy lowering and lifting
DASHBOARD	With analogue instrumentation complete with operating hours indicator, engine rpm, forwarding speed and warning lights
TYRES	6.50-16 * 210/95R16 (7.50-16) * 260/70R16 * 240/70-15 Garden
TOW HOOKS (standard)	Front - Rear CUNA cat. B adjustable in height
Optional	Rear EC approved
RUNNING ORDER WEIGHT with roll-bar (kg)	1060
ADDITIONAL OPTIONS	Independent from gearbox rear PTO at 540 rpm (with electro-hydraulic control and multi-disc oil bath clutch) and synchronised with forwarding speed, rear working light, beacon lamp, wheel weights 40 kg each.

THE SERVICES



SPARE PARTS

A complete range of original spare parts, guaranteed directly by the manufacturer.



ASSISTANCE

A team of specialists, well prepared and available to assure an efficient and resolving service.



LUBRICANTS

We recommend to use the original PowerLube lubricants.



FINANCIAL SERVICES

Financial solutions to meet the credit requirements.



MADE IN ITALY